

KAMERTON S Louver

CODE: 5.3201.02D1.277W.N0

LED | 4000 K | >90 | SDCM ≤3 | 50,000 h
L80 B10 | IP20 | DALI | 220-240V
50-60Hz |  | 



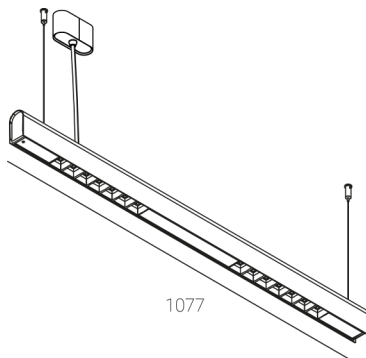
TECHNICAL DATA

Power: **18,8 W CC HO (High output)**
Flux: **2550 lm**
CCT: **4000 K**
CRI: **>90**
SDCM: **≤3**
Durability of LED sources: **50.000 h, L80 B10**
Diffuser / Optic: **Wide beam (UGR<19)**

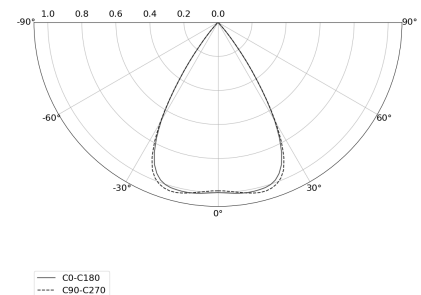
Mounting type: **Suspended, direct (SD)**
Power supply: **220-240V, 50-60Hz**
Control: **DALI**
Protection Class: **I**
IP: **IP20**
Material: **Extruded aluminium profile**
Finishing: **powder coated: night**

TECHNICAL DRAWING

Dimensions: **1077x44 mm**



PHOTOMETRIC DATA



ACCESSORIES (ORDERED SEPARATELY)

OTHER