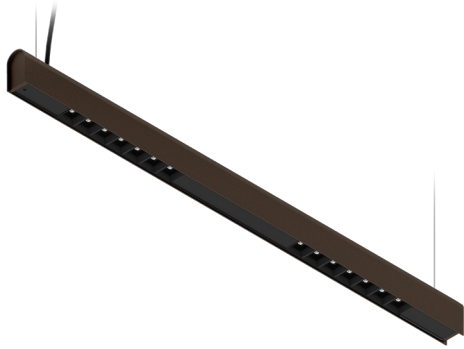


## KAMERTON S Louver

CODE: 5.3201.02D1.277W.V0

LED | 4000 K | >90 | SDCM ≤3 | 50,000 h  
L80 B10 | IP20 | DALI | 220-240V  
50-60Hz |  |  |



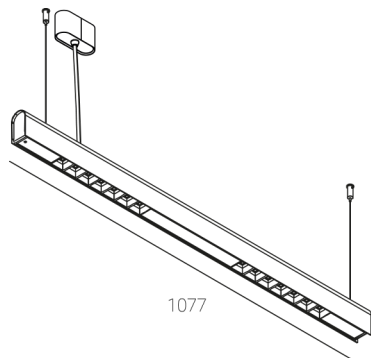
### TECHNICAL DATA

Power: **18,8 W CC HO (High output)**  
Flux: **2550 lm**  
CCT: **4000 K**  
CRI: **>90**  
SDCM: **≤3**  
Durability of LED sources: **50.000 h, L80 B10**  
Diffuser / Optic: **Wide beam (UGR<19)**

Mounting type: **Suspended, direct (SD)**  
Power supply: **220-240V, 50-60Hz**  
Control: **DALI**  
Protection Class: **I**  
IP: **IP20**  
Material: **Extruded aluminium profile**  
Finishing: **powder coated: volcano**

### TECHNICAL DRAWING

Dimensions: **1077x44 mm**



### PHOTOMETRIC DATA



### ACCESSORIES (ORDERED SEPARATELY)

### OTHER