

## KAMERTON S Louver

CODE: 5.3201.0211.WA3W.B0

LED | 2700-3000K | >90 | SDCM ≤3 | 50.000 h  
L80 B10 | IP20 | Dim to warm | 220-240V  
50-60Hz |  |  |



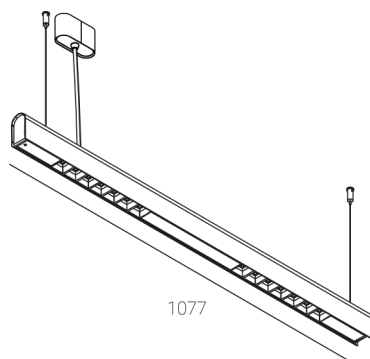
### TECHNICAL DATA

Power: 18,8+10,1 W CV HO (High output)  
Flux: 2742 lm  
CCT: 2700-3000K  
CRI: >90  
SDCM: ≤3  
Durability of LED sources: 50.000 h, L80 B10  
Diffuser / Optic: Wide beam (UGR<19)

Mounting type: Suspended, direct/indirect (SDI)  
Power supply: 220-240V, 50-60Hz  
Control: Dim to warm  
Protection Class: I  
IP: IP20  
Material: Extruded aluminium profile  
Finishing: powder coated: black dust

### TECHNICAL DRAWING

Dimensions: 1077x44 mm



### PHOTOMETRIC DATA



### ACCESSORIES (ORDERED SEPARATELY)

### OTHER