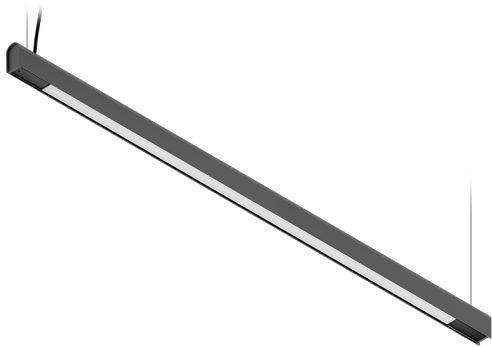


## KAMERTON S Line

CODE 5.3202.03D1.WA3L.H0

LED | 2700-3000K | >90 | SDCM ≤3 | 50.000 h L80 B10 | IP20 | Dim to warm | 220-240V 50-60Hz |  | 

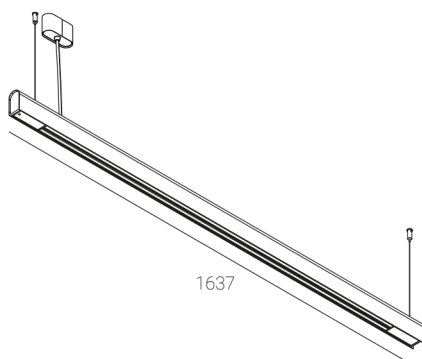


### TECHNICAL DATA

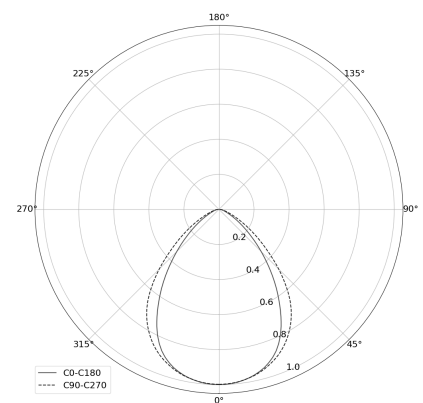
|                            |                            |                   |                                   |
|----------------------------|----------------------------|-------------------|-----------------------------------|
| Power:                     | 33,6 W CV HO (High output) | Mounting type:    | Suspended, direct (SD)            |
| Flux:                      | 3892 lm                    | Power supply:     | 220-240V, 50-60Hz                 |
| CCT:                       | 2700-3000K                 | Control:          | Dim to warm                       |
| CRI:                       | >90                        | Protection Class: | I                                 |
| SDCM:                      | ≤3                         | IP:               | IP20                              |
| Durability of LED sources: | 50.000 h, L80 B10          | Material:         | Extruded aluminium profile        |
| Diffuser / Optic:          | Linear optic (satine)      | Finishing:        | powder coated: graphite (RAL7024) |

### TECHNICAL DRAWING

Dimensions: **1637x44 mm**



### PHOTOMETRIC DATA



### ACCESSORIES (ORDERED SEPARATELY)

### OTHER