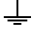

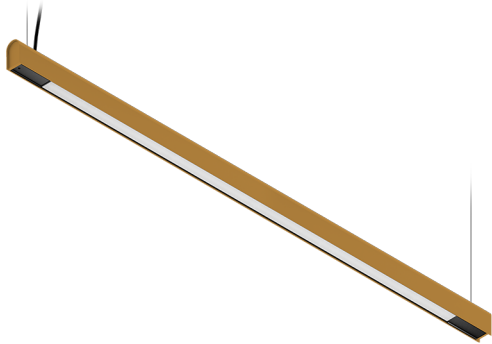


KAMERTON S Line

CODE 5.3202.03D1.WA3L.00

LED | 2700-3000K | >90 | SDCM ≤3 | 50.000 h L80 B10 | IP20 | Dim to warm | 220-240V 50-60Hz |  | 



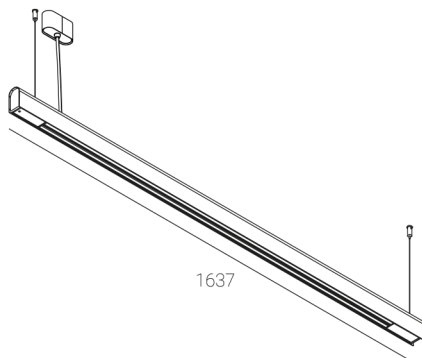
TECHNICAL DATA

Power: 33,6 W CV HO (High output)
Flux: 3892 lm
CCT: 2700-3000K
CRI: >90
SDCM: ≤3
Durability of LED sources: 50.000 h, L80 B10
Diffuser / Optic: Linear optic (satine)

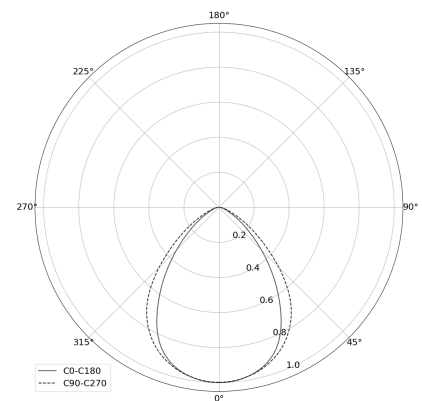
Mounting type: Suspended, direct (SD)
Power supply: 220-240V, 50-60Hz
Control: Dim to warm
Protection Class: I
IP: IP20
Material: Extruded aluminium profile
Finishing: powder coated: ochra

TECHNICAL DRAWING

Dimensions: 1637x44 mm



PHOTOMETRIC DATA



ACCESSORIES (ORDERED SEPARATELY)

OTHER