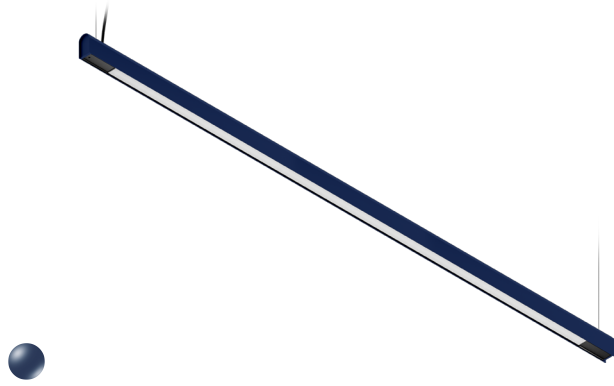


KAMERTON S Line

CODE 5.3202.04D1.267L.S0

LED | 3000 K | >90 | SDCM ≤3 | 50.000 h L80 B10 | IP20 | DALI | 220-240V 50-60Hz |  | 

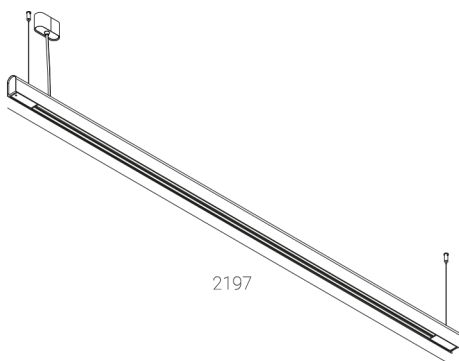


TECHNICAL DATA

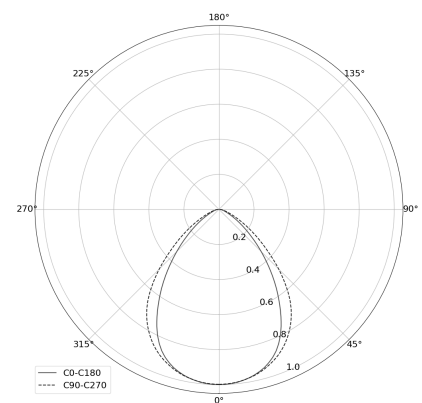
Power:	47 W CC HO (High output)	Mounting type:	Suspended, direct (SD)
Flux:	5859 lm	Power supply:	220-240V, 50-60Hz
CCT:	3000 K	Control:	DALI
CRI:	>90	Protection Class:	I
SDCM:	≤3	IP:	IP20
Durability of LED sources:	50.000 h, L80 B10	Material:	Extruded aluminium profile
Diffuser / Optic:	Linear optic (satine)	Finishing:	powder coated: saphire (RAL5003)

TECHNICAL DRAWING

Dimensions: **2197x44 mm**



PHOTOMETRIC DATA



ACCESSORIES (ORDERED SEPARATELY)

OTHER