

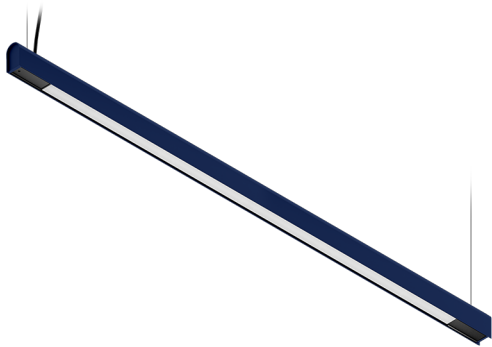


KAMERTON S Line

CODE 5.3202.03D1.WA38.S0

LED | 2700-3000K | >90 | SDCM ≤3 | 50.000 h
L80 B10 | IP20 | Dim to warm | 220-240V
50-60Hz |  |  |

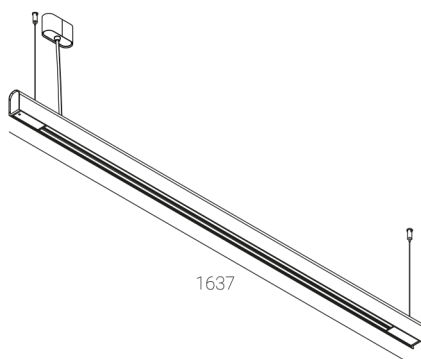


TECHNICAL DATA

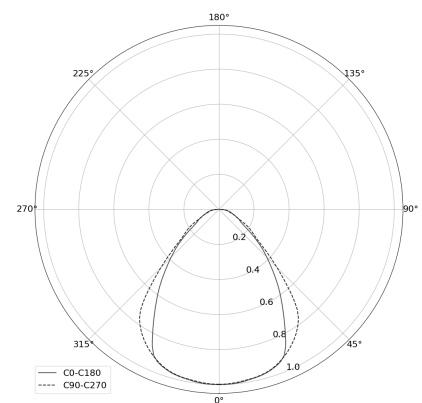
Power:	33,6 W CV HO (High output)	Mounting type:	Suspended, direct (SD)
Flux:	2141 lm	Power supply:	220-240V, 50-60Hz
CCT:	2700-3000K	Control:	Dim to warm
CRI:	>90	Protection Class:	I
SDCM:	≤3	IP:	IP20
Durability of LED sources:	50.000 h, L80 B10	Material:	Extruded aluminium profile
Diffuser / Optic:	Dark Microcrystal	Finishing:	powder coated: sapphire (RAL5003)

TECHNICAL DRAWING

Dimensions: **1637x44 mm**



PHOTOMETRIC DATA



ACCESSORIES (ORDERED SEPARATELY)

OTHER