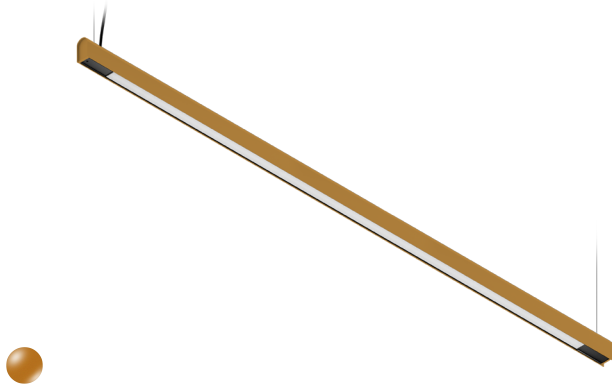


KAMERTON S Line

CODE: 5.3202.0411.C77L.00

LED | 4000 K | >90 | SDCM ≤3 | 50.000 h
L80 B10 | IP20 | Casambi | 220-240V
50-60Hz |  | 



TECHNICAL DATA

Power: 47+23,5 W CC HO (High output)
Flux: 9051 lm
CCT: 4000 K
CRI: >90
SDCM: ≤3
Durability of LED sources: 50.000 h, L80 B10
Diffuser / Optic: Linear optic (satine)

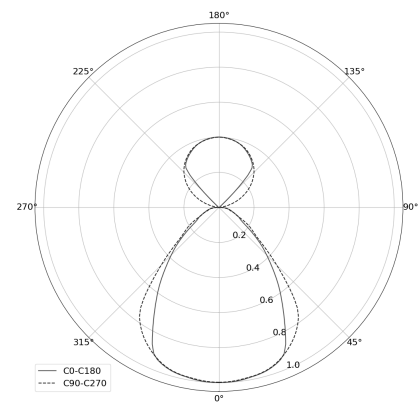
Mounting type: Suspended, direct/indirect (SDI)
Power supply: 220-240V, 50-60Hz
Control: Casambi
Protection Class: I
IP: IP20
Material: Extruded aluminium profile
Finishing: powder coated: ochra

TECHNICAL DRAWING

Dimensions: 2197x44 mm



PHOTOMETRIC DATA



ACCESSORIES (ORDERED SEPARATELY)

OTHER