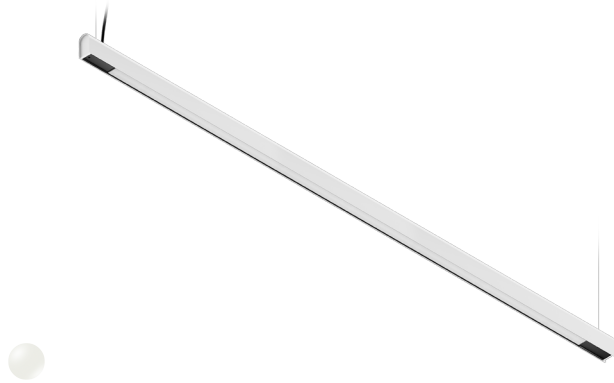


## KAMERTON S Line

CODE 5.3202.0411.2778.40

LED | 4000 K | >90 | SDCM ≤3 | 50.000 h  
L80 B10 | IP20 | DALI | 220-240V  
50-60Hz |  |  |



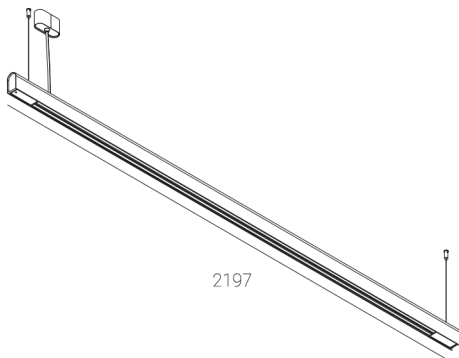
### TECHNICAL DATA

Power: 47+23,5 W CC HO (High output)  
Flux: 6232 lm  
CCT: 4000 K  
CRI: >90  
SDCM: ≤3  
Durability of LED sources: 50.000 h, L80 B10  
Diffuser / Optic: Dark Microcrystal

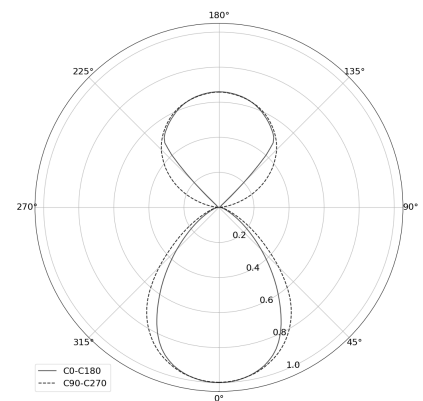
Mounting type: Suspended, direct/indirect (SDI)  
Power supply: 220-240V, 50-60Hz  
Control: DALI  
Protection Class: I  
IP: IP20  
Material: Extruded aluminium profile  
Finishing: powder coated: white (RAL9016)

### TECHNICAL DRAWING

Dimensions: 2197x44 mm



### PHOTOMETRIC DATA



### ACCESSORIES (ORDERED SEPARATELY)

### OTHER